

## MENNI RACKING END GUARDS

Menni racking end guards are designed to minimise damage to racking and stored product as a result of impact by forklifts, vehicles and trolleys.

Moulded interlocking modules, made from super tough Linear Low Density Polyethylene (LLDPE), are virtually indestructible and highly visible.

Available in 2 standard lengths to suit single or double width racking. Alternatively, add any number of additional modules for other applications such as asset protection etc. (See Section 9 for other Menni applications).

### Value features:

- » Comes complete with fixings.
- » Mounted independently of racking.
- » Super tough LLDPE construction.
- » Accepts standard 50mm diameter FRP sign post (See Section 3.7).
- » Low cost. Fraction of the cost of fabricated steel units.
- » Impact absorbing qualities.
- » U.V. stabilised. Won't fade, chip, rot or rust.



### Specifications:

<b>Description:</b>	Menni racking end guard.
<b>Material:</b>	Injection moulded Linear Low Density Polyethylene (LLDPE).
<b>Finish:</b>	Solid colour (Yellow standard).
<b>Dimensions:</b>	Single – L1080 x W150 x H100mm. Double – L2160 x W150 x H100mm.
<b>No. of fixings:</b>	4 or 8 x 12mm masonry anchors (supplied).

PART No.	DESCRIPTION
MRP1100	Menni – Single racking end guard 1080mm long
MRP2200	Menni – Double racking end guard 2160mm long

SECTION 8.2

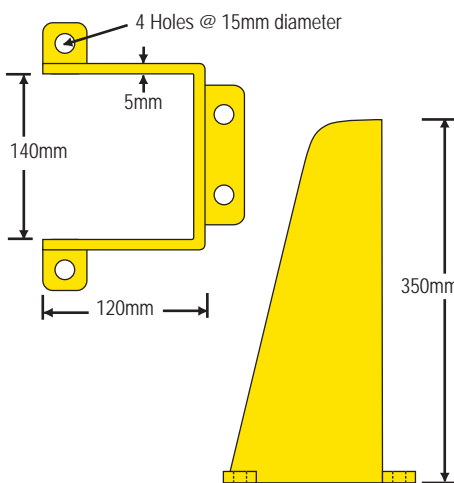
## BULL-DOG BRACKETS

### Pallet racking leg guards

Pallet racking legs are often supporting many tonnes of product. Protecting these legs is of vital importance to avoid potential disasters caused as a result of impact by forklifts or trolleys. Bull-dog brackets are manufactured from heavy steel plate and bolt to the warehouse floor independent of the racking, therefore isolating any impact from the structural members of the racking system. When considered against the cost of potential damage, Bull-dog brackets represent a very low cost form of insurance.

### Value features:

- » Manufactured from 5mm thick steel plate.
- » Four bolt fixing for maximum security.
- » Powder coated high visibility safety yellow.
- » Protects your investment and reduces the risk of collapse due to impact.
- » Quick and simple to install without the need for down time.
- » Comes complete with fixings.
- » Mounted independently of racking to avoid impact transference.



### Specifications:

<b>Description:</b>	Pallet racking leg guards.
<b>Material:</b>	Laser cut from 5mm thick steel plate.
<b>Finish:</b>	Safety yellow powder coat.
<b>Height:</b>	350mm.
<b>Weight:</b>	4.6kgs approx.
<b>Installation:</b>	4 x 12mm masonry anchors (supplied).

PART No.	DESCRIPTION
BDB	Bull-dog bracket



# LEGEND



## AUSTRALIAN CONTENT

This product has been designed, developed and is either completely or substantially manufactured in Australia. (The minimum Australian content is between 50 and 100%).



## NEW AND UNIQUE

This is a new and unique product. It has either been designed, developed and manufactured by the Barrier Group Pty. Ltd. or it is being seen here for the first time.



## 100% RECYCLABLE

This product is manufactured from virgin grade raw materials and is 100% recyclable using existing, readily available recycling technology and services.



## RECYCLED MATERIALS

This product has been manufactured from either a combination of recycled materials and virgin grade materials or entirely from recycled materials.



## HOT DIP GALVANISED

This product has been hot dip galvanised prior to any surface coatings being applied. Hot dip galvanised offers vastly improved corrosion protection and extended life in harsh environments.



## FIXINGS INCLUDED

This product comes complete with all the necessary fixings to complete the standard installation. When comparing competitors prices against our own, always ensure they have included the fixings with the product (excludes gravel spikes).



## 5 YEAR WARRANTY

This product carries a 5 year limited warranty against structural failure due to faulty materials or workmanship in our manufactured products, OR structural failure and major fading due to U.V. degradation in our injection moulded products.

(For full conditions visit [www.barriergroup.com.au](http://www.barriergroup.com.au)).

## WARNING

© Barrier Group Pty. Ltd. takes the protection of its intellectual property (IP) seriously and will not hesitate to pursue legal action against any individual, group or organization attempting to steal, copy or duplicate any of its proprietary designs OR anyone who imports, sells or distributes illegal copies or duplicates of its proprietary designs.

IT'S AGAINST THE LAW – AVOID THE PAIN!