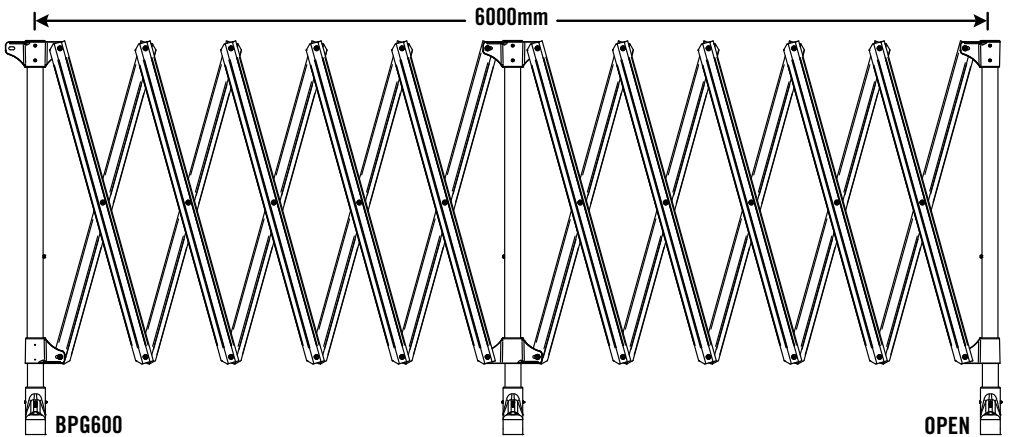
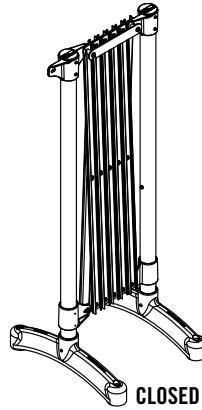
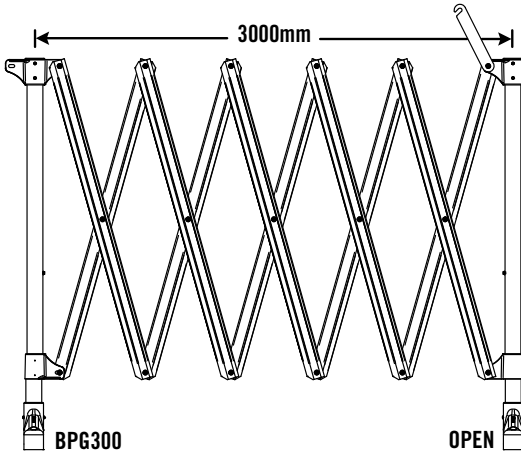


PORT-A-GUARD

User Instructions



Dear Customer,

Thank you and congratulations on purchasing your new Port-a-guard expanding barrier kit.

With your purchase of a new Port-a-guard model 300 or 600, not only do you receive the world's best **free standing** expanding barrier, you also receive the necessary brackets to convert it into a **wall mounted** model. In the past these were sold as two distinct models.

Also included free of charge with your kit, are an extra wall/sign bracket for mounting our optional sign pockets (see below), plus a wall receiver bracket for securing your Port-a-guard to any wall or fixed post. This is particularly useful when you want to close off an area or prevent tampering.

All of the above components and the wall mounting feature, which would have been purchased separately in the past, are now included for **FREE** when ever you purchase one of our expandable barriers. This gives you a more flexible and versatile product at no extra cost.

Now that's VALUE!

FREE DOWNLOADS

You will notice your kit includes 3 combination wall/sign mounting brackets. When you purchase our optional A4 or A5 sign mounting pockets, you can access a range of free printable sign faces.

Simply visit **www.barsec.com.au**, select the sign or signs (as many as you like), send them to your printer and insert them into your sign pocket as shown on page 10 in this booklet.

Done – and it's FREE!

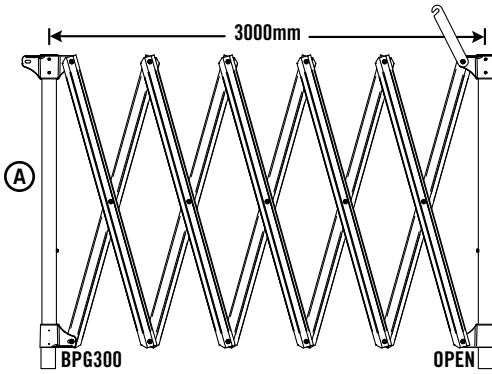
Also available for your new Port-a-guard, are a range of accessories, including locking castor wheels and additional base weights. These are described on page 9 in this booklet. And of course, should you need to, you can purchase a full range of spare parts for your Port-a-guard.

Now that's SERVICE!

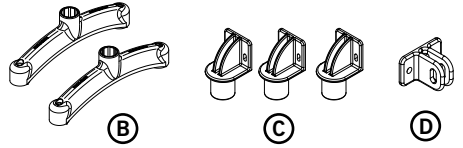
what's included

BPG300RW/BY

(Red/White or Black/Yellow)



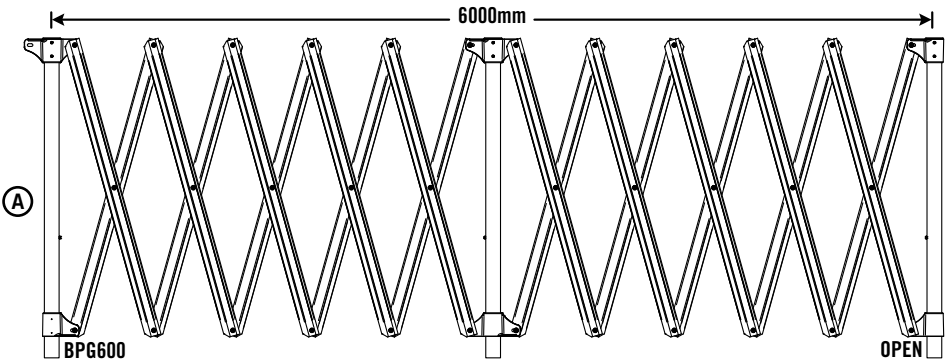
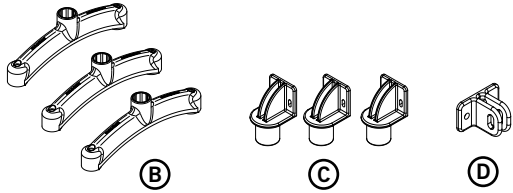
- A. 1 x Port-a-guard 3 metre body
- B. 2 x Moulded feet
- C. 3 x Wall/Sign mounting brackets
- D. 1 x Wall receiver bracket



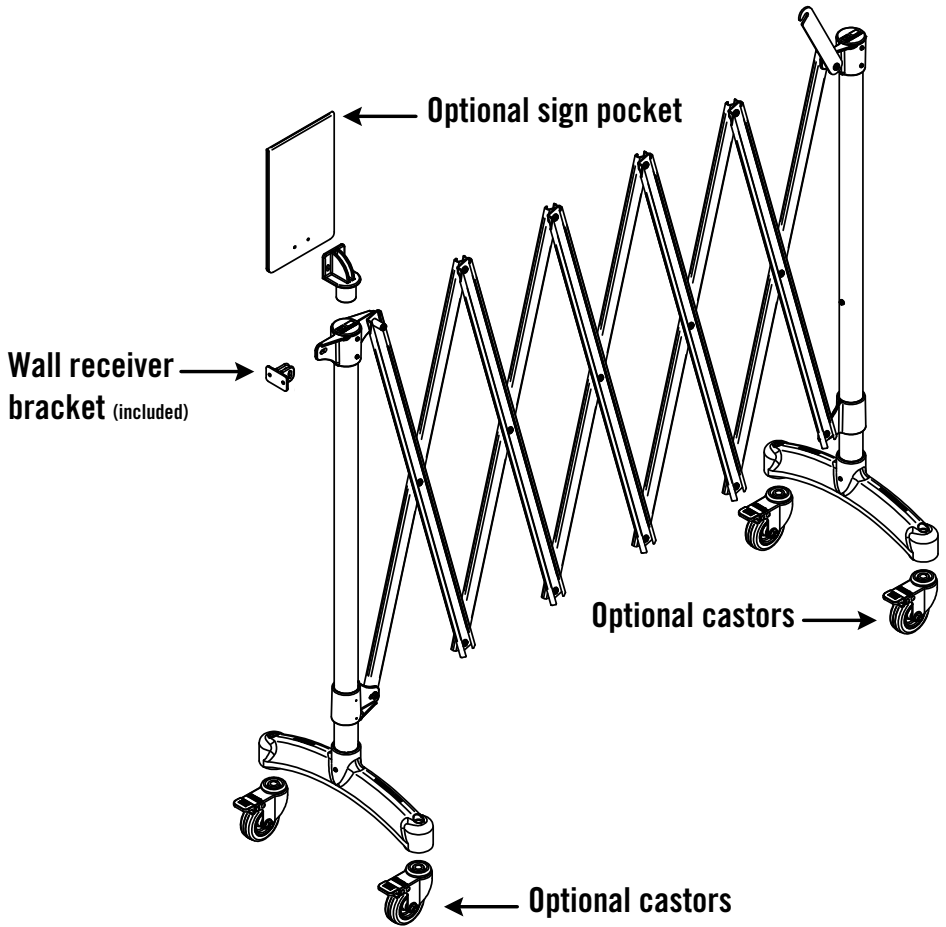
BPG600RWB/Y

(Red/White or Black/Yellow)

- A. 1 x Port-a-guard 6 metre body
- B. 3 x Moulded feet
- C. 3 x Wall/Sign mounting brackets
- D. 1 x Wall receiver bracket



freestanding use _____



If you have purchased your new Port-a-guard to use as a freestanding model, all that is necessary is to attach the feet. Simply follow the instructions on the next page.

Should you require more mobility or additional weight for windy locations see page 9 for optional castors and base weights.

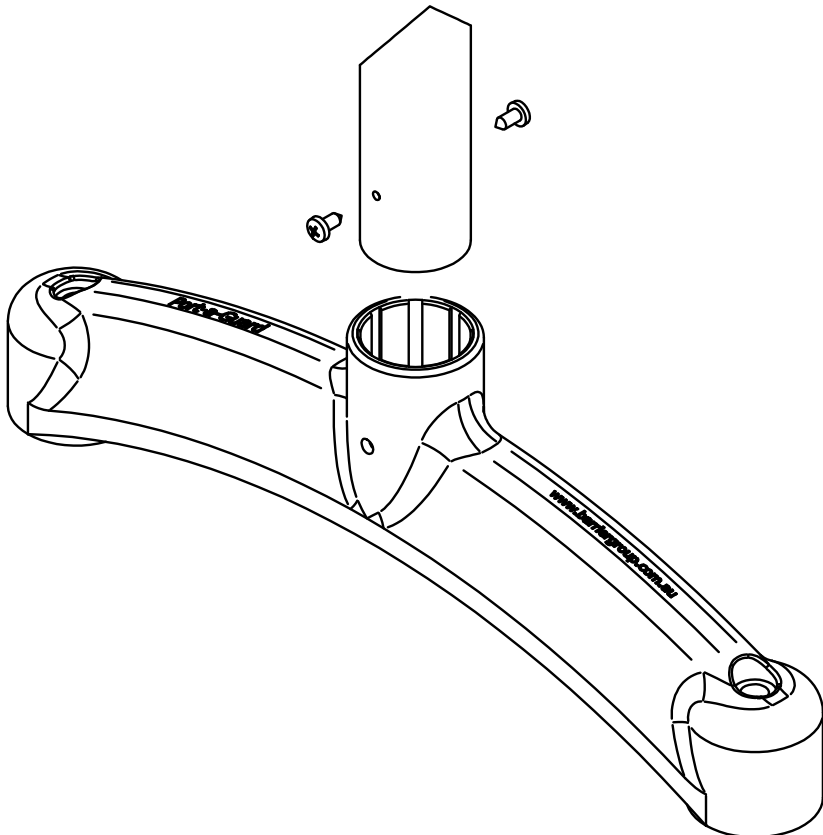
AVAILABLE IN 3 AND 6 METRE LENGTHS.

fitting feet to port-a-guard posts _____

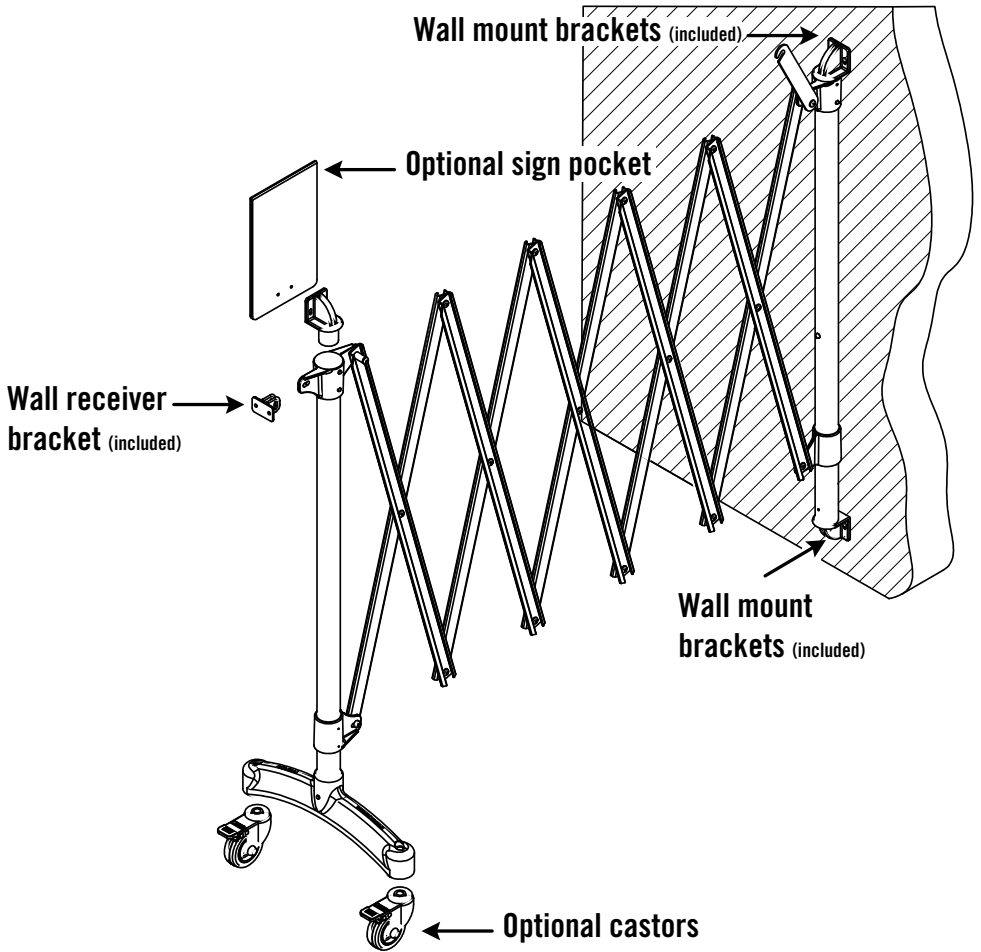
INSTALLATION STEPS

1. Fit moulded feet onto the bottom of the posts. If necessary, turn barrier upside down and tap foot with a soft mallet (Do not use excessive force).
2. Align screw holes in foot with holes in the post.
3. Using 2 screws (supplied) secure foot in place.

Note: If fitting the optional weights, install them into the post before fitting the foot.



wall mounted use _____



If you need your Port-a-guard to be fixed in one location, instead of its portable function, wall mounting brackets are supplied (explained in detail on the next page).

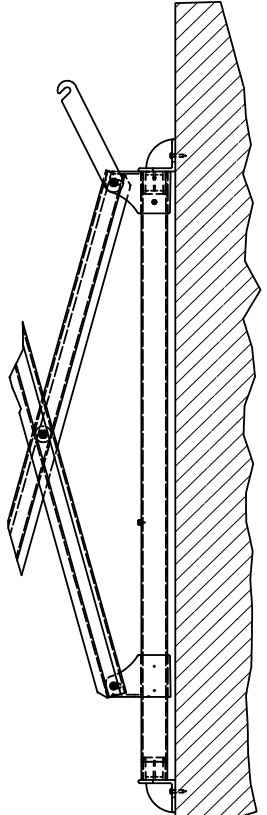
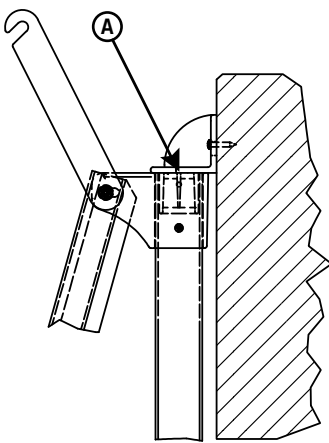
You can even use our optional locking castors on the outboard feet for improved operation.

AVAILABLE IN 3 AND 6 METRE LENGTHS.

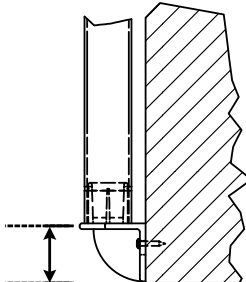
wall mount bracket installation _____

INSTALLATION STEPS

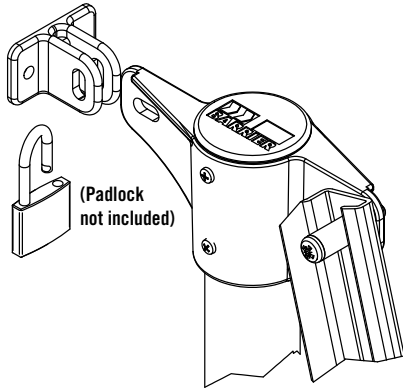
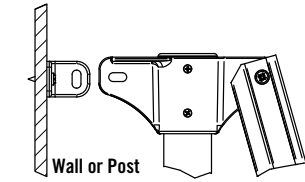
1. Position lower bracket at floor level in the selected location.
Note: If using castor wheels, the bracket should be raised to 100mm above floor (see below).
2. Using appropriate fixings (not supplied) secure the bracket to the wall.
3. Place bottom end of Port-a-guard post onto the secured bracket.
4. Remove screw (A) retaining the cap in the top of the Port-a-guard post and discard the cap.
5. Insert top bracket into post and secure the bracket to the wall.

Note: When using the wall mount option, you will have a spare foot and cap left over.


If using castors,
set at **100mm**
above floor level



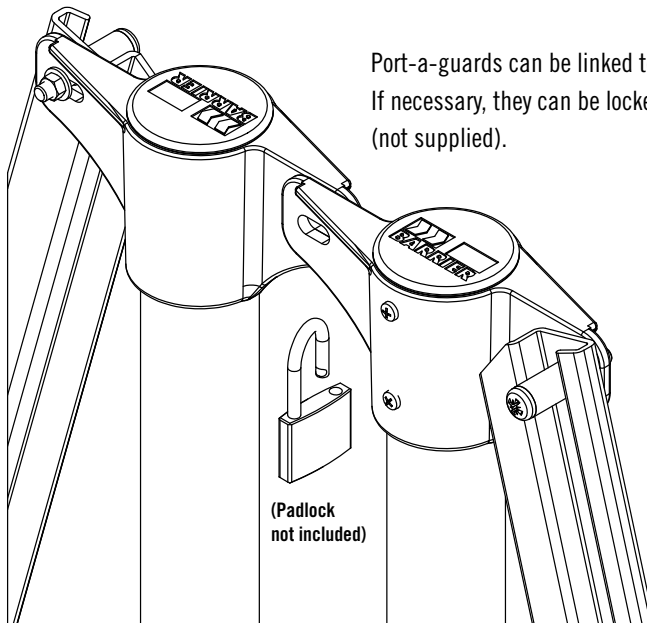
wall receiver bracket _____



INSTALLATION STEPS

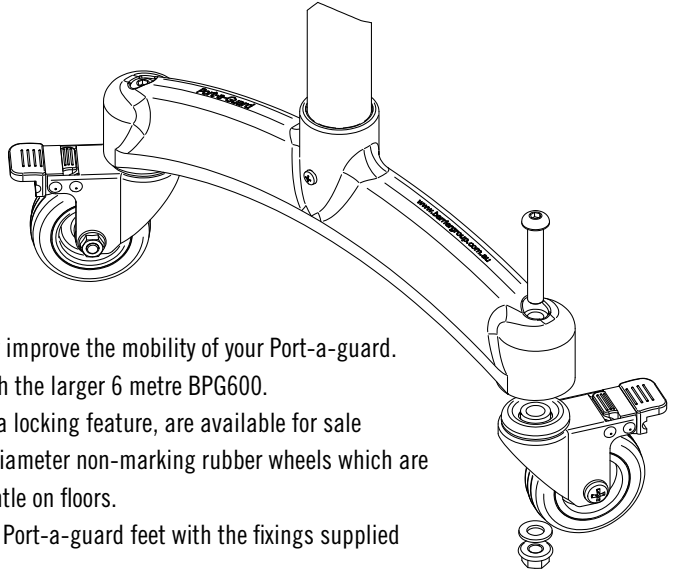
1. Assemble Port-a-guard in the desired format.
2. Align the wall receiver bracket with the receiver wing of the Port-a-guard. Mark the wall where the wall receiver bracket needs to be attached.
Note: To ensure the receiver aligns correctly, make sure that the top of the wall receiver bracket is positioned under the reinforcing rib of the wing.
3. Attach the wall receiver bracket using appropriate fixings for the wall type (not supplied)

linking two port-a-guards _____



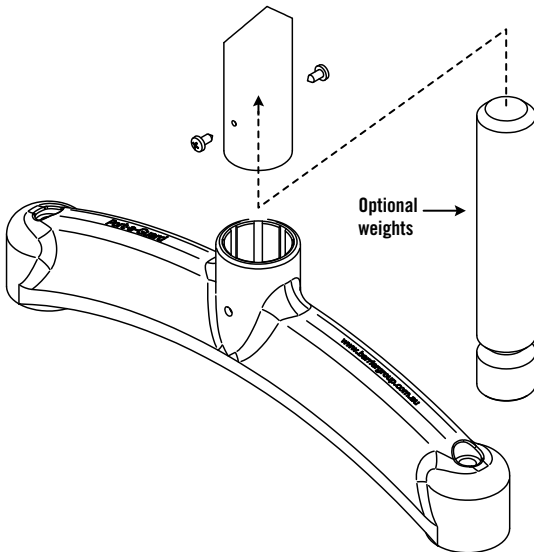
Port-a-guards can be linked together to span large distances. If necessary, they can be locked using a standard 6mm padlock (not supplied).

optional locking castors



Optional locking castors greatly improve the mobility of your Port-a-guard. This is particularly the case with the larger 6 metre BPG600. The castors, which incorporate a locking feature, are available for sale individually. They have 75mm diameter non-marking rubber wheels which are both silent in operation and gentle on floors. They are simply attached to the Port-a-guard feet with the fixings supplied with them.

optional base weights



In certain circumstances, it may be desirable to add additional weight to your Port-a-guard.

Our optional base weights are sold individually and weigh 1.5kgs each.

Base weights fit neatly up inside the bottom of the post, completely out of sight. They can be purchased and fitted at any time.

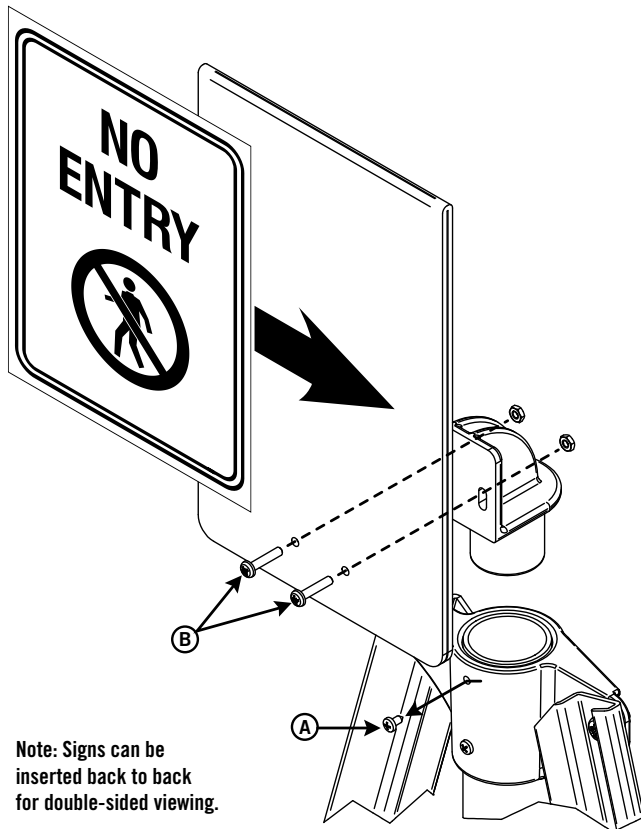
optional sign pockets _____

INSTALLATION STEPS:

1. Remove the top screw of the Port-a-guard post (**A**).
2. Remove and discard the cap.
3. Insert the sign bracket (supplied) into the post and replace screw (**A**).
4. Secure the optional sign pocket to the bracket using the two M5 x 20 nuts and bolts (**B**) supplied with the sign pocket. **Sign kits are available in two sizes, A4 and A5.**

Note: The sign pocket can be mounted in either an upright or hanging position, depending on preference.

5. To insert a printed sign, loosen the screws (**B**), insert the print and then re-tighten the screws.



Note: Signs can be inserted back to back for double-sided viewing.

You will notice your kit includes 3 combination wall/sign mounting brackets. When you purchase our optional A4 or A5 sign mounting pockets, you can access a range of free printable sign faces.

Simply visit www.barsec.com.au, select the sign or signs (as many as you like), send them to your printer and insert them into your sign pocket as shown on page 10 in this booklet.

Done – and it's FREE!

Also available for your new Port-a-guard, are a range of accessories, including locking castor wheels and additional base weights. These are described on page 9 in this booklet. And of course, should you need to, you can purchase a full range of spare parts for your Port-a-guard.

Now that's SERVICE!





www.barriergroup.com.au