

09 ZONE FENCING



De-fence is designed to comply with AS4024.1 when used as machinery guarding. Alternatively, its flexible design lends itself to many applications, including forklift separation and workplace zoning. De-fence can be configured in two standard heights. All panels have the ability to swing through 180°. Any fixed panel can be converted to a gate or vice versa simply by deleting or adding brackets. Sliding gates are now available for use with 2460mm high posts. This section also includes portable temporary fences.

You may also be interested in pages:



36 POST & RAIL



39 POST-Q



81 EXPANDING BARRIERS



102 RETRACTA-BELT

DE-FENCE FEATURES



Four-way connectivity

The Steel posts accept panel brackets on all 4 sides. This makes them ideal for multisided enclosures or changes in direction.



Tamper resistant fixings

In keeping with the requirements of AS4024.1 (Machinery Guarding) panels are retained in place with tamper resistant fixings. This means they can only be removed or adjusted using tools not normally available to operators.



Modular construction

De-fence is a completely modular design. All the components including posts, brackets and panels are interchangeable to provide a zoning system that can be configured to any situation.



Swinging or sliding gates

With De-fence any fixed panel becomes a gate simply by removing the panel brackets from one side and pivoting on the other, left hand or right hand. A choice of latch systems completes the gate.

DE-FENCE SAFETY FENCE

– The De-fence System

De-fence is a modular guarding and fencing system. Designed to comply with AS4024.1. De-fence is simple to install, flexible and configures to the widest range of applications.

The system comprises a range of standard panel lengths from 500 to 2000mm with the option of welded mesh or polycarbonate infill, plus a choice of two post heights.

Steel Posts

De-fence steel posts are manufactured from 75 x 75 x 2.5mm thick RHS tube. They are pre-drilled on all 4 sides to accept our range of steel brackets and finished in high visibility safety yellow powder coat.

Available in two standard heights, 1300 and 2460mm with welded bases.

Specifications:

Description:	Pre-drilled SHS posts.
Material:	75 x 75 x 2.5mm SHS.
Finish:	Yellow powder coat.
Height:	1300 or 2460mm.
Width:	75 x 75mm.
Foot print:	200 x 84mm.
Weight:	1300mm – 7.4kgs. 2460mm – 12.0kgs.
Installation:	2 off M10 x 75mm concrete screw anchors. (Supplied).

PART No.	DESCRIPTION
DFP1300	De-fence steel post 1300 x 75 x 75mm with fixings
DFP2460	De-fence steel post 2460 x 75 x 75mm with fixings



De-fence as pedestrian separation.



Steel post with welded steel base.



DF-SPB

Standard panel bracket kit

This bracket provides universal panel mounting where no side adjustment is required.



DF-APB

Adjustable panel bracket kit

Use in place of DF-SPB where side adjustment is required. Allows for up to 12mm of adjustment.

Steel Brackets

A range of four mounting brackets for connecting panels and our steel posts.

Specifications:

Description:	Panel to post connecting brackets. (4 types).
Material:	4mm mild steel.
Finish:	Black powder coat.
Weight:	Approx. 300grams.
Installation:	2 off M8 x 12mm Hex, tamper resistant head bolts with washers (supplied).

PART No.	DESCRIPTION
DF-SPB	De-fence standard panel steel bracket kit
DF-APB	De-fence adjustable panel steel bracket kit
DF-PCB	De-fence panel connector steel bracket kit
DF-SGB	De-fence self-closing gate steel bracket kit
DF-CP	De-fence panel connector pin



DF-PCB

Panel connector bracket kit

Used on double De-fence for joining upper and lower panels.



DF-SGB

Self-closing gate bracket kit

Use as either the top or bottom gate hinge. Allows tension adjustment for gate closure. (Use only 1 per gate.)

DE-FENCE PANELS

Mesh In-fill Panel

The standard De-fence panels are available in 5 standard widths and come with fully welded mesh in-fill. The mesh is a 3mm diameter steel wire at 25 x 25mm centres, giving an aperture size of 22mm square. It is welded into a tubular frame of 38 x 25 x 1.6mm mild steel RHS. The completed panels are finished in black powder coat.

Specifications:

Description:	Mesh in-fill panels.
Frame:	Mild steel tube 38 x 25 x 1.6mm.
In-fill:	3mm mild steel wire.
Aperture:	22 x 22mm.
Finish:	Black powder coat.
Weight:	See below.

PART No.	DESCRIPTION
DFP2000M	De-fence mesh in-fill panel – 2000mm long (18kgs)
DFP1500M	De-fence mesh in-fill panel – 1500mm long (15kgs)
DFP1000M	De-fence mesh in-fill panel – 1000mm long (10kgs)
DFP750M	De-fence mesh in-fill panel – 750mm long (8kgs)
DFP500M	De-fence mesh in-fill panel – 500mm long (6kgs)



Fully welded mesh panel.



Polycarbonate panels with aluminium retaining extrusion.

Polycarbonate In-fill Panel

Optional polycarbonate De-fence panels are available in the same 5 standard widths. The clear polycarbonate is 3mm thick and is shatter proof. The polycarbonate sheet is fixed into a black powder coated tubular frame of 38 x 25 x 1.6mm mild steel RHS using a custom made aluminium extrusion. This extrusion is then riveted into the frame.

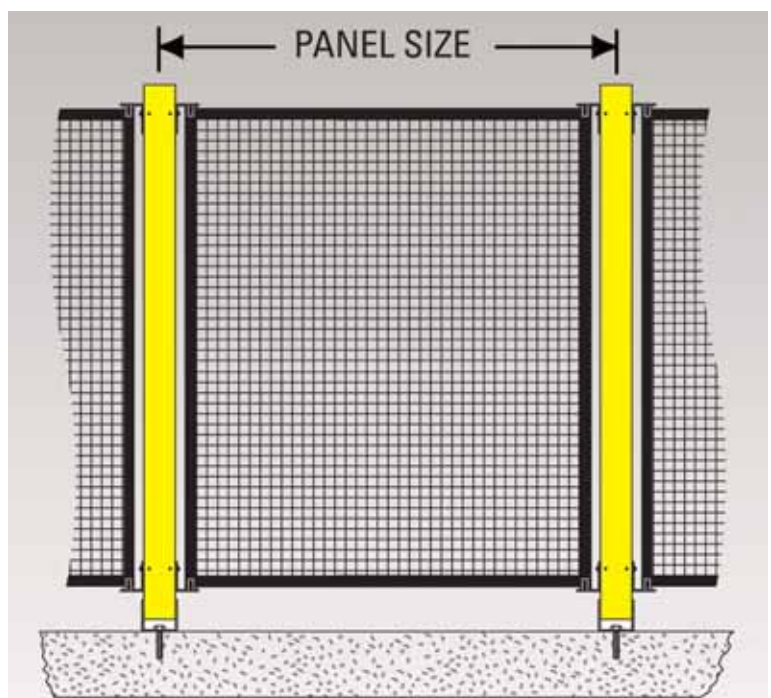
Specifications:

Description:	Polycarbonate in-fill panels.
Frame:	Steel.
Extrusion:	Aluminium.
In-fill:	3mm clear polycarbonate sheet.
Finish:	Outer steel frame, black powder coat.
Weight:	See below.

PART No.	DESCRIPTION
DFP2000P	De-fence polycarb. in-fill panel – 2000mm long (18kgs)
DFP1500P	De-fence polycarb. in-fill panel – 1500mm long (15kgs)
DFP1000P	De-fence polycarb. in-fill panel – 1000mm long (10kgs)
DFP750P	De-fence polycarb. in-fill panel – 750mm long (8kgs)
DFP500P	De-fence polycarb. in-fill panel – 500mm long (6kgs)

Standard Panel Sizes

Standard range of panels sizes available – 500, 750, 1000, 1500 and 2000mm wide by 1150mm deep. (Note: Panel widths relate to actual post centres). Available in either mesh or polycarbonate in-fills. When used with 2460mm posts, two panels are stacked on top of one another.



Panel sizes are actually measured between post centres.

DE-FENCE GATES

Swing Gates

With De-fence any fixed panel becomes a gate simply by removing the panel brackets from one side and pivoting on the other, left hand or right hand. A choice of latch systems completes the gate.

180° Swing

Our unique bushing system means panels can swing through more than 180°. This feature allows panels to come off the posts at any angle. With all connections being bushed there is no rattling or noisy panels.

Sliding Gates

We understand that there are situations where available space, or the uniqueness of the application does not lend itself to swinging gates.

For these scenarios we have developed a system of sliding gates using our standard mesh or polycarbonate panels and 2460mm high posts. In most cases these can be retro-fitted using specially designed brackets or they can be tailored to specific needs. Sliding gates can span openings from 260mm to 3.6 metres with a head clearance of 2.4 metres. Rolling on 4 wheel carriages with nylon wheels they are both silent and smooth in operation.

Because our gates are suspended from overhead tracks the floor is kept free of any obstructions that could interfere with the use of pallet trucks, trolley's or create tripping hazards.

Other features of our sliding gates include:

- » Left or right opening or both in the case of double width gates.
- » They can be mounted the inside or outside face of the fence posts.
- » They can be either full height (2400mm) or top panel opening only (above 1200mm).

For more information on sliding gates please talk to one of our customer service personal.

PART No.	DESCRIPTION
DF-CP	De-fence gate connector pin
DF-GS	De-fence gate stop
DF-LL	De-fence general purpose gate latch.
DF-LB	De-fence lockable drop bolt.



AS4024.1 SAFETY OF MACHINERY

Our 'De-fence' machinery guarding system has been designed to comply with AS4024.1

Some key features of the De-fence system are:

- When used at its full height of 2410mm 'De-fence' exceeds the standard. (The industry norm is only 2000mm)
- Clearance below the panels is 100mm which allows for cleaning but prevents unauthorised access.
- Panels in the system can only be removed or adjusted using tools not normally available to operators.
- Panel mesh aperture is 22 x 22mm meaning 'De-fence' can be located at the minimum 120mm from a hazard.



Single height swinging gates.



Double height swinging gates



DF-CP

Gate Connector Pin

Connects top and bottom panel when using a gate.



DF-GS

Gate Stop

Non-latching gate stop for use with self closing gates.



DF-LL

General Purpose Gate Latch

Lockable and self latching.



DF-LB

Lockable Drop Bolt

Key lockable.

EVENT FENCE

Event Fence portable barrier is a system of interlocking free standing fence panels. Strength, durability and flexibility are all features of Event Fence! Simply link Event Fence panels together to create continuous barricading for festivals, parades, sporting events or work sites.

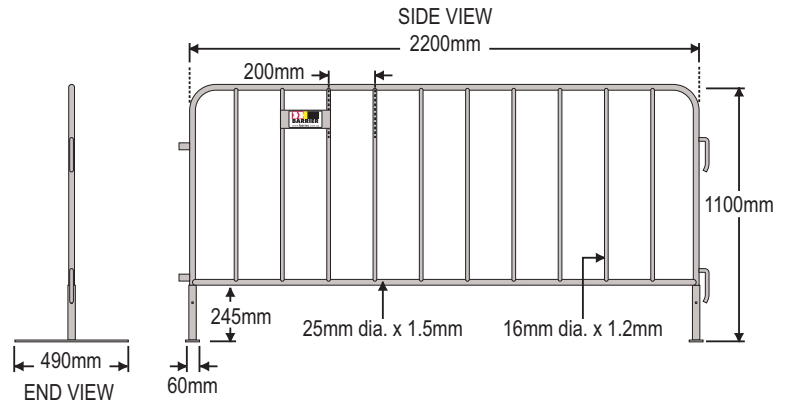
Optional forklift stillage makes storage and transporting of Event fence panels simple and efficient.

Value features:

- » Fully welded steel construction.
- » Galvanised finish.
- » Panels nest together when not in use to reduce storage space.
- » Feet are removable if desired for freight or storage.
- » Vertical bars eliminate climbing points.
- » Panels are able to pivot at joints.
- » Low profile feet reduces tripping hazards.

Specifications:

Description:	Modular and portable temporary barrier system.
Material:	Steel construction, fully welded.
Finish:	Hot dip galvanised.
Length:	2200mm.
Width:	490mm.
Height:	1100mm.
Weight:	16kgs.
Installation:	Free standing panels, link together. No tools required.



HANDY TIP

Buyers considering purchasing Event Fence or Q-Fence should also consider our EFS & QFS stackable forklift stillages. These stillages make the storage and handling of panels much more space efficient and easier to handle.

PART No.	DESCRIPTION
EF25/200	Event fence – standard duty
EFS	Event fence stackable forklift stillage – holds 30



EVENT FENCE STILLAGES

Optional fork lift stillages make the storage, handling and transportation of large numbers of Event Fence panels simple and efficient.

These robust hot dip galvanised steel stillages hold either 30 pieces of the EF25/200 standard duty event fence panels or QFS holds 20 Crowd-Q Panels.

Value features:

- » Robust construction with galvanised finish.
- » Designed for use with forklifts.
- » Stackable to 4 units high.
- » Each unit holds up to 30 Event Fence panels or 20 Q-Fence panels.
- » Panels can be hand loaded by one person.

PART No.	DESCRIPTION
EFS	Event fence stackable forklift stillage – holds 30
QFS	Q-Fence stackable forklift stillage – holds 20



QFS/EFS – Stillages make storage and handling of panels simple and space efficient.



CROWD-Q

Crowd-Q is a system of portable interlocking free standing fence panels for crowd management.

Crowd-Q is manufactured from super tough and light weight moulded polyethylene in hi-visibility safety orange. Maximum panel openings of 80mm ensure small children are unable to climb through or under.

Other features include stacking dimples, built-in reflective panels and low profile feet that rotate for transport or stacking. Panels link together to create continuous barricading for festivals, parades, sporting events and work sites.

Optional forklift stillages holding up to 20 Crowd-Q panels makes handling and transporting simple and efficient.

Value features:

- » Child safe 80mm panel openings.
- » Low profile rotating feet with fixing holes.
- » Super tough polyethylene in hi-vis orange.
- » Light weight for ease of handling.
- » Sliding panel connector for sloping ground.
- » Built-in reflective panels.

Specifications

Description:	Portable interlocking crowd control system.
Material:	Moulded polyethylene.
Finish:	Solid colour hi-vis safety orange.
Height:	1000mm.
Length:	2130mm.
Thickness:	60mm.
Weight:	Approx. 14kgs per unit.
Installation:	Free standing, linked panels.

PART No.	DESCRIPTION
CQ2130	Crowd-Q portable event fence
QFS	Q-Fence stackable forklift stillage – holds 20

WARNING

© Barrier Group Pty. Ltd. takes the protection of its intellectual property (IP) seriously and will not hesitate to pursue legal action against any individual, group or organization attempting to steal, copy or duplicate any of its proprietary designs OR anyone who imports, sells or distributes illegal copies or duplicates of its proprietary designs.

IT'S AGAINST THE LAW – AVOID THE PAIN!



The lightweight, durable panels with recessed reflective panel is easily handled by one person.



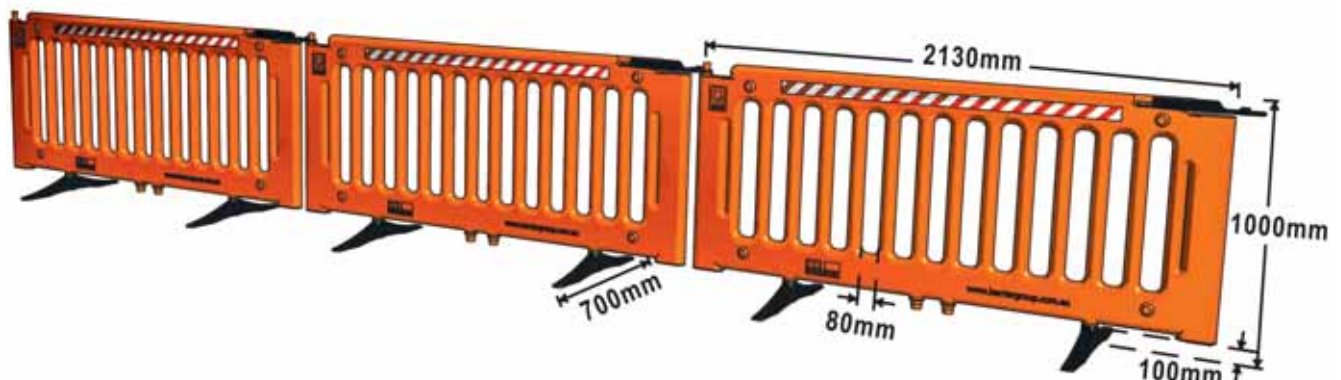
Rotating foot with fixing hole.



Sliding panel connector for uneven ground.



Q-fence stillages store 20 panels and stack easily with a forklift.



Q-CADDY

Schools, universities, sporting organisations. In fact anyone responsible for managing the movement of people or vehicles on private property will appreciate the convenience and versatility of Q-Caddy.

Q-Caddy is a rapid deployment crowd barrier system comprising 20 of our Crowd-Q portable interlocking fence panels on a purpose designed lightweight trailer.

The trailer is fully galvanised, has wide turf tyres to protect sensitive sporting fields, and a quick hitch coupling for typical grounds keepers vehicles such as utility carts and ride-on mowers. There is even a built-in cone carrier attachment that holds up to ten 70mm traffic cones.

The Q-Caddy has been inspired by a need by many institutions and private bodies to provide short term traffic management such as at sports days, festivals, open days and numerous other events.

Note: Q-Caddy ships flat packed and requires simple assembly using only basic hand tools (all fixings supplied).

Value features:

- » Time saving convenience and versatility.
- » Easily towed by typical grounds keepers vehicles.
- » Quick hitch with low drawbar weight (approx. 20kgs).
- » Carries 20 lightweight Crowd-Q panels (14kgs each).
- » Built-in cone carrier for up to 10 traffic cones.
- » Fitted with a standard 50mm trailer coupling.
- » Wide turf tyres to protect playing surfaces
- » Hot dip galvanised steel construction.

Specifications

Description: Portable barrier system.

Material: Tubular steel construction.

Finish: Hot dip galvanised.

Height: Approx. 1500mm (loaded).

Length: 3200mm overall (loaded).

Weight: 150kgs approx. (empty).

Capacity: 20 Crowd-Q panels.

PART No.	DESCRIPTION
QCAD-20	Q-Caddy trailer complete with 20 panels
QCAD-T	Q-Caddy trailer only
QCAD-W	Q-Caddy replacement wheel
CQ2130	Crowd-Q additional panels
BTC450R	Fluoro cone with reflective sleeve 450mm
BTC700R	Fluoro cone with reflective sleeve 700mm



WARNING

TOWING HAZARD:

- The Q-Caddy mobile barrier system is designed and intended for towing on private land only and should never be towed on public roads or highways.
- The Q-Caddy mobile barrier should not be towed at speeds exceeding 25km per hour.
- Drive safely. Be aware of the added length of the Q-Caddy trailer.
- Never ride or transport cargo on the Q-Caddy trailer.



Above: Lightweight towing.
Right: Standard 50mm trailer coupling.



Above: Quick and easy loading and unloading.
Right: Built-in cone carrier.



Q-Caddy holds 20 Crowd-Q panels.