



W-BEAM GUARD FENCE (TYPE D)

Features:

- Designed for asset protection, and the protection of pedestrians from slow moving vehicles in and around industrial and commercial complexes and car parks.
- Complies to VicRoads SD3671-E requirements for 'Type D' guard fence.
- With a choice of rail lengths, post options and accessories W-Beam Guard Fence can be easily configured for most non-highway applications.
- Modular design with a range of accessories.
- Hot dip galvanised for maximum long term protection.
- Guard rails interchangeable with competitors W-Beam systems.
- Posts are supplied with necessary fixings.

Material:	Posts – Mild steel 178 x 76 x 6mm. Rails – Mild steel 2.75mm thick in eight standard lengths.
Finish:	All components hot dipped galvanised.
Weight:	Posts – 18kgs (approx.) Rails – 13kgs per metre (approx.)
Installation:	Surface mount or in-ground.

NOTES ON USE:

Barrier Group W-BEAM GUARD FENCE (Type D) has been configured for use as an asset protection system for non-highway applications. It should only be used where impact speeds are less than 30 km/h. (eg. In parking areas, factories and warehouses).

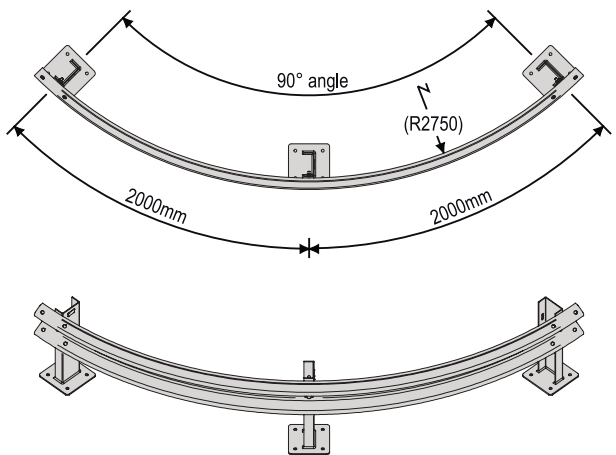
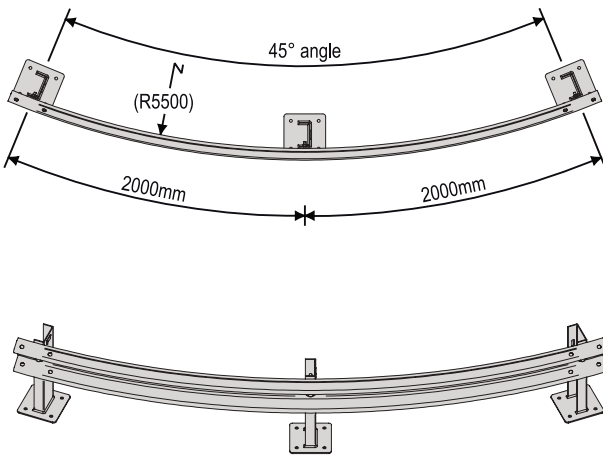




Shown with Ball-Fence handrail system.

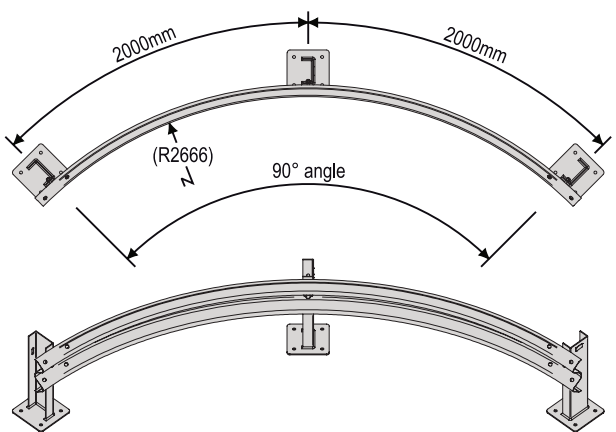
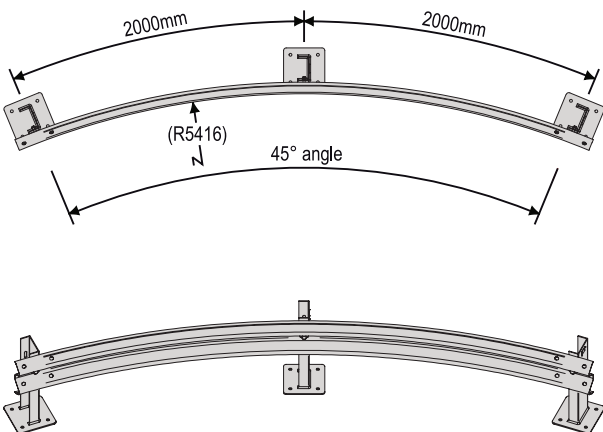
PART No.	STRAIGHT RAILS
WBR500-2G	W-Beam rail for 0.5 metre centres (requires 2 posts)
WBR1000-2G	W-Beam rail for 1 metre centres (requires 2 posts)
WBR1500-2G	W-Beam rail for 1.5 metre centres (requires 2 posts)
WBR2000-2G	W-Beam rail for 2 metre centres (requires 2 posts)
WBR2500-2G	W-Beam rail for 2.5 metre centres (requires 2 posts)

PART No.	STRAIGHT RAILS
WBR3000-3G	W-Beam Rail for 3 metre centres (requires 3 posts)
WBR3500-3G	W-Beam Rail for 3.5 metre centres (requires 3 posts)
WBR4000-3G	W-Beam Rail for 4 metre centres (requires 3 posts)
KIT10	W-Beam Splice Fixing Kit (8 off M16 x 32 bolts with nuts)



PART No.	EXTERNAL CURVED RAILS
WBR45EX	W-Beam 45 degree curved rail – External

PART No.	EXTERNAL CURVED RAILS
WBR90EX	W-Beam 90 degree external curved rail – External

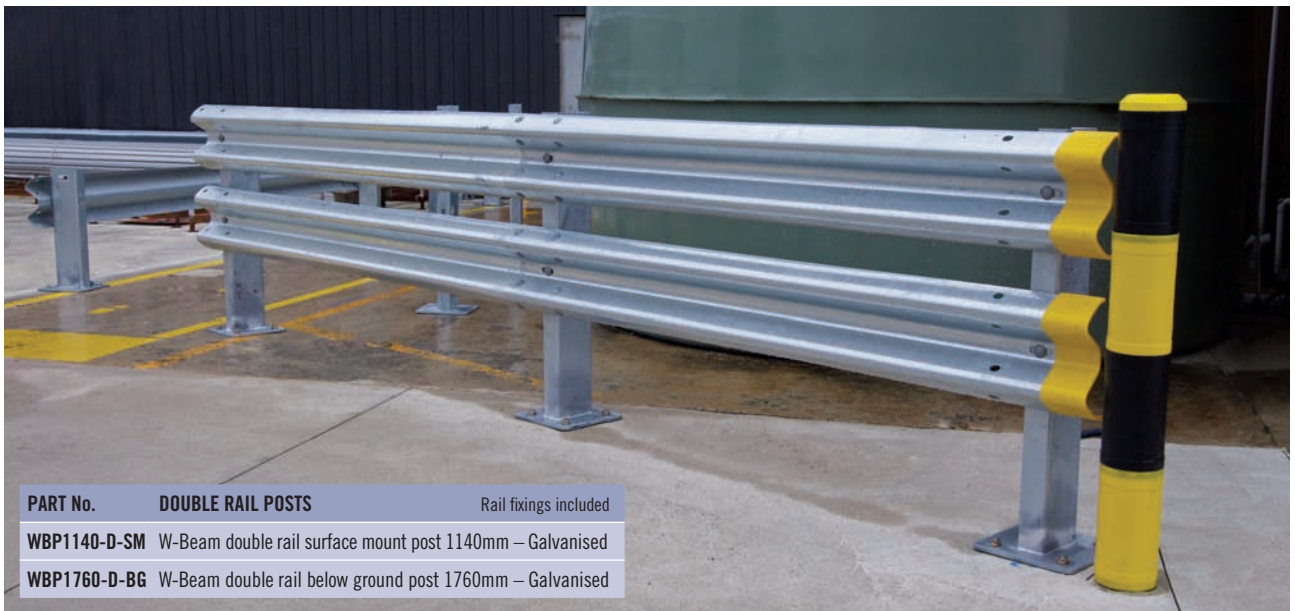


PART No.	INTERNAL CURVED RAILS
WBR45IN	W-Beam 45 degree curved rail – Internal

PART No.	INTERNAL CURVED RAILS
WBR90IN	W-Beam 90 degree curved rail – Internal



PART No.	SINGLE RAIL POSTS	Rail fixings included
WBP400-SM	W-Beam single rail surface mount post 400mm – Galvanised	
WBP725-SM	W-Beam single rail surface mount post 725mm – Galvanised	
WBP1225-BG	W-Beam single rail below ground post 1225mm – Galvanised	



PART No.	DOUBLE RAIL POSTS	Rail fixings included
WBP1140-D-SM	W-Beam double rail surface mount post 1140mm – Galvanised	
WBP1760-D-BG	W-Beam double rail below ground post 1760mm – Galvanised	



PART No.	BALL-FENCE HAND RAILS	Ball-Fence fixings included
BFTP-WB	W-Beam/Ball-Fence through post – Galvanised	
BFEP-WB	W-Beam/Ball-Fence end post – Galvanised	
BFHR	Ball-Fence hand rail 32 N.B. x 6 metres – Galvanised	



More information
24

PART No.	BALL-FENCE GATES	Fixings included
BFG	Ball-Fence self-closing gate (complete with hoop) – Galvanised	
BFG-P	Ball-Fence self-closing gate (complete with hoop) – Galvanised & Yellow powder coated	
BFGPWB-SM	Ball-Fence gate post 48 x 1017mm – Galvanised	



PART No.	HI-VIS BOOT
WBRB	W-Beam rail end boot – Yellow LLDPE



PART No.	FISH TAIL ENDS	End terminal fixings included
WBFT	W-Beam fish tail end terminal 710 x 3mm – Galvanised	
WBFT-Y	W-Beam fish tail end terminal – Galvanised & Yellow powder coated	



PART No.	STUBBY NOSE ENDS	End terminal fixings included
WBSN	W-Beam stubby nose end terminal 710 x 3mm – Galvanised	
WBSN-Y	W-Beam stubby nose end terminal – Galvanised & Yellow powder coated	



PART No.	EXTERNAL CONNECTORS	Connector fixings included
WB90EC	W-Beam 90 degree external connector – Galvanised	
WB90EC-Y	W-Beam 90 degree external connector – Galvanised & Yellow powder coated	



PART No.	INTERNAL CONNECTORS	Connector fixings included
WB90IC	W-Beam 90 degree internal connector – Galvanised	
WB90IC-Y	W-Beam 90 degree internal connector – Galvanised & Yellow powder coated	

Phone us or visit our website for more information!