



BIN TIDY

Features:

- Ideal for houses, units, factories and parks.
- Perfect for retaining spill control kits in place.
- Stops bins from unauthorised removal.
- Prevents bins being spilled by animals or wind.
- Ensures bins remain where placed.
- Adjustable spring loaded arm keeps lid closed.
- Available to suit 120 or 240 litre bins.
- Made from hot dip galvanised steel.
- Comes flat packed with assembly instructions.
- Retaining chain can be padlocked if necessary.
- Can be left freestanding or fixed in place.

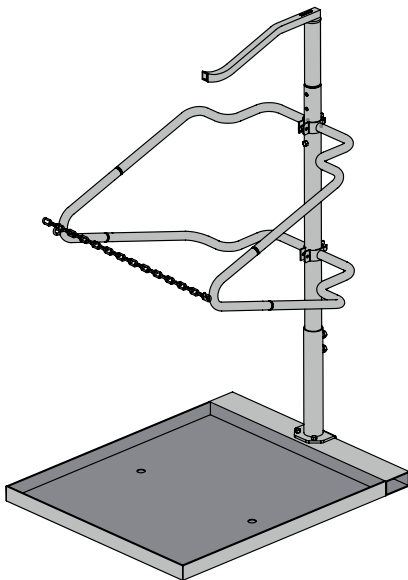
Material: Mild steel.

Finish: Hot dip galvanised.

Fits bins: BT120 – 120 litres.
BT240 – 240 litres.

Weight: BT120 – 16kgs.
BT240 – 21kgs.

Installation: Freestanding or bolt down.



PART No.	DESCRIPTION
BT120	Bin tidy to suit 120 litre bin (16kgs)
BT240	Bin tidy to suit 240 litre bin (24kgs)



ILLUMINATED BATONS

Features:

- Selectable for flash or constant light.
- Requires two 'D' size batteries (not included).
- Lightweight and comfortable to use.
- Long life, tested to in excess of 300 hours per battery set.

PART No.	DESCRIPTION
IBLR	Illuminated baton 540mm – Red



VERTICAL PLASTIC PANEL

Features:

- Broad face and reflective panels for high visibility.
- Stackable when in storage.
- Made from durable Hi-Vis Orange polyethylene.
- Stable 10.5kgs for windy conditions.
- Accepts our T-Top Eye Nut (page 88) for connecting chains.

PART No.	DESCRIPTION
VP115	Vertical plastic panel 1100 x 300 x 120mm (panel size)
BTCEN	Optional T-Top eye nuts (packs of 10) for connecting chains