



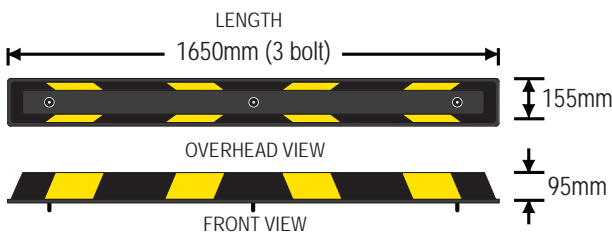
RUBBER WHEEL STOP

An economical one piece rubber wheel stop with Hi-Vis Yellow panels. Manufactured from recycled materials with dimensions that comply to AS/NZS 2890.1:2004. Suitable to install in factories, warehouses and car parks.

Features:

- Complies with AS/NZS 2890.1:2004.
- Economical and simple to install.
- Solid moulded construction.
- Recycled materials won't chip or corrode.
- Comes complete with fixings.

Material:	Recycled and natural rubber.
Finish:	Solid Black rubber with Hi-Vis Yellow panels.
Length:	1650mm.
Width:	155mm.
Height:	95mm.
Weight:	14kgs.
Fixings:	3 x 150mm Masonry anchors (gravel spikes optional).



PART No.	DESCRIPTION
RWS1650	One piece rubber wheel stop – Black (fixings supplied)
SPIKES	Optional steel gravel spikes for fixing into loose surfaces – 300 x 12mm each



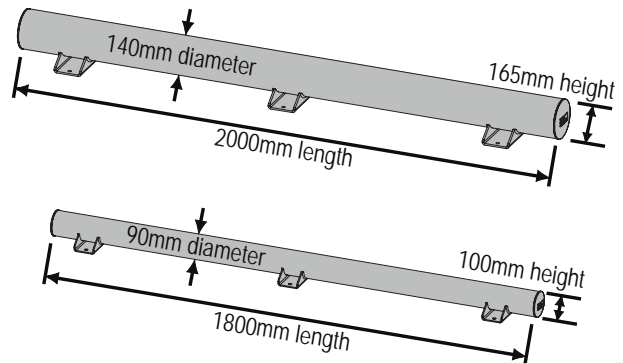
TRUCK STOP

Heavy duty wheel stops for use with trucks and mobile machinery in two sizes. Manufactured from heavy wall steel tube and hot dipped galvanised. Note: This product is designed to be industry specific and as such may not comply with the relevant standards for wheel stop design. Designed to be installed into concrete surfaces.

Features:

- Heavy steel construction with 6 point fixing.
- Available in 2 diameters and lengths.
- Hot dip galvanised for harsh environments.
- Suitable for truck or machinery parking areas.

Material:	Mild steel tube with 5mm wall.
Finish:	Hot dip galvanised.
Diameter:	90mm or 140mm.
Height:	100mm or 165mm.
Length:	1800mm or 2000mm.
Weight:	23kgs or 40kgs.
Fixings:	6 x M10 bolts (supplied).



PART No.	DESCRIPTION
TS90-G	Heavy truck stop 90 x 5 x 1800mm – Galvanised
TS140-G	Heavy truck stop 140 x 5 x 2000mm – Galvanised