



BULL-DOG BRACKETS

Standard Pallet Racking Leg Guards

Pallet racking legs are often supporting many tonnes of product. Protecting these legs is of vital importance to avoid potential disasters caused as a result of impact by forklifts or trolleys. Bull-Dog brackets are manufactured from heavy steel plate and bolt to the warehouse floor independent of the racking, therefore isolating any impact from the structural members of the racking system.

Features:

- Designed to comply with AS 4084-2012.
- Manufactured from 5mm thick steel plate.
- Four bolt fixing for maximum security.
- Hot dip galvanised with Yellow powder coat.
- Protects your investment and reduces the risk of collapse due to impact.
- Quick and simple to install without the need for down time.
- Mounted independently to avoid impact transference (fixings supplied).

PART No.	DESCRIPTION
BDB	Standard Bull-Dog bracket – 210 x 150 x 400 x 5mm



BULL-DOG BRACKETS

Big Foot Pallet Racking Leg Guards

Features:

- Designed to comply with AS 4084-2012.
- 200mm internal clearance for large frame base plates.
- 500mm high for increased protection and visibility.
- Manufactured from 6mm thick mild steel.
- Hot dip galvanised with Yellow powder coat.
- Mounted independently to avoid impact transference (fixings supplied).

PART No.	DESCRIPTION
BDB500	Big Foot Bull-Dog bracket – 250 x 150 x 500 x 6mm



BULL-DOG BRACKETS

Corner Pallet Racking Leg Guards

Features:

- Designed to comply with AS 4084-2012.
- Designed for corner applications.
- 500mm high for increased protection and visibility.
- Manufactured from 6mm thick mild steel.
- Hot dip galvanised with Yellow powder coat.
- Mounted independently to avoid impact transference (fixings supplied).

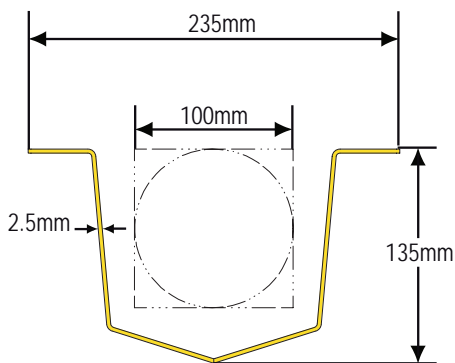
PART No.	DESCRIPTION
BDB500C	Corner Bull-Dog bracket – 180 x 180 x 500 x 6mm



BULL-DOG DOWNPIPE PROTECTOR
For downpipes up to 100mm diameter

Features:

- Protects pipes and cables from vehicle damage.
- Clearly visible to reversing vehicles.
- Suitable for services up to 100mm diameter.
- Robust 2.5mm thick mild steel construction.
- 6 off 10mm pre-drilled mounting holes.
- Easily retrofitted to existing services.
- Suitable for indoors or outdoor use.
- Hot dip galvanised with Yellow powder coat.
- 900mm high for maximum protection.



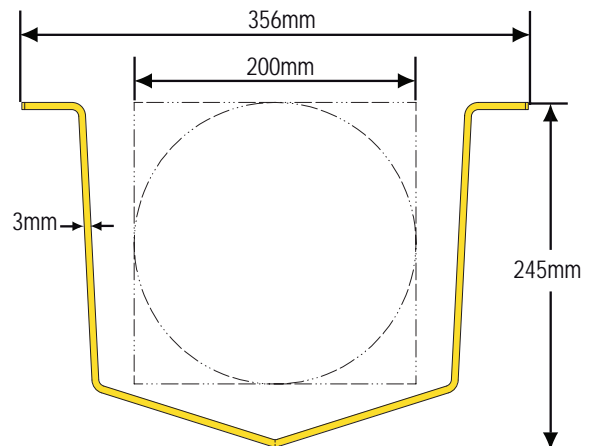
PART No.	DESCRIPTION
BDP100	Bull-Dog 100mm downpipe protector (7.8kgs)



BULL-DOG DOWNPIPE PROTECTOR
For downpipes up to 200mm diameter

Features:

- Protects pipes and cables from vehicle damage.
- Clearly visible to reversing vehicles.
- Suitable for services up to 200mm diameter.
- Robust 3mm thick mild steel construction.
- 6 off 10mm pre-drilled mounting holes.
- Easily retrofitted to existing services.
- Suitable for indoors or outdoor use.
- Hot dip galvanised with Yellow powder coat.
- 900mm high for maximum protection.



PART No.	DESCRIPTION
BDP200	Bull-Dog 200mm downpipe protector (16kgs)